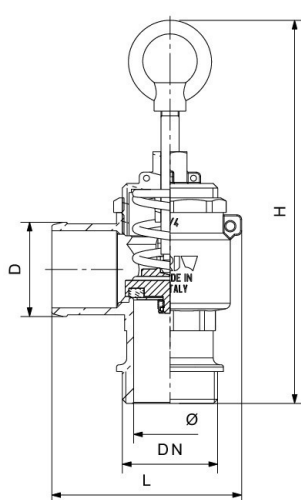




RIV 250

Spring operated pressure relief valve with hose-connection

Tech drawings and tables



DN	Code	Ø	H	L	D	PN	KG	P/box
1"1/4	050250000008	32	170	89	40	1,5bar - 21psi	0,691	1
1"1/2	050250000009	39	180	100	45	1,5bar - 21psi	0,956	1
2"	050250000011	50	160	110	51	1,5bar - 21psi	1,253	1
2"1/2	050250000013	60	210	134,5	66,5	1,5bar - 21psi	2,700	1

Advantages

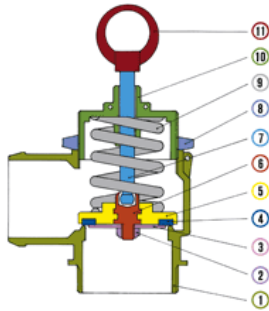
Environmentally compatible, thanks to its hose-connection, where you can apply a pipe for discharging any possible polluting leakages into a proper tank.

The valve can be easily adjusted to the desired pressure (from 0,5 to 1,5 bar - from 7 to 21 Psi) and it can be sealed tamper-proof through the drilled tongues.

Certified in accordance with 97/23/CE (PED) Directive, **CE 1115** marking.

Technical data

Art. 250



Materials

1	Body	Brass	CB754S	
2	Nut	Steel		Zinc-plated
3	Washer	Steel		Zinc-plated
4	Gasket	FKM		
5	Disc	Brass	CW617N	
6	Stem	Brass	CW614N	
7	Lock Nut	Brass	CW617N	
8	Spring	Steel		Zinc-plated
9	Spring Tightener	Brass	CW617N	
10	Ring	POM		

Connections

ISO 228/1, NPT

Limit

-20°C (-4°F) (without liquid) +180°C (+356°F)

Notes

The max.working pressure (PN) means at a room temperature of about 23°C.

Approvals

